

90882 Series Wall Mount Maintenance Bypass Breaker Panels

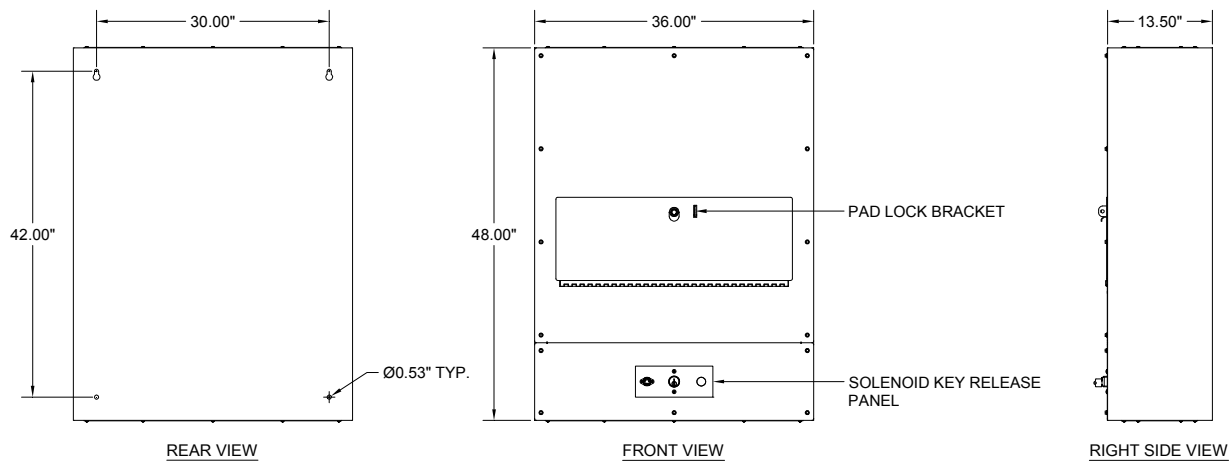
UPS Peripherals



- Multiple system configurations
- Three breaker design (450A-1200A)
- 36 inch wide wall mount design
- Compact design minimizes footprint
- Available in 35K, 50K, and 65K AIC ratings
- Optional solenoid key release for added safety

C&C Power offers Wall Mount Maintenance Bypass Breaker Panels available in multiple configurations. The 90882 Series MBBC allows the end user to safely isolate the UPS from utility power and from the load to perform regular service and maintenance.

Our wall mount bypass panels are available in 35K, 50K, or 65K AIC ratings for 480V applications, and 65K AIC ratings for 208V applications. An SKRU (solenoid key release) option is available for added safety.



Part Number Configuration

90882 - C 480 3 65 EC 1200 06 MB

1 2 3 4 5 6 7 8 9

1. Cabinet Type 90882 Series	4. Bypass Configuration Breakers 3 = 3 Breakers	7. Bypass Configuration Breaker Size 0450 = 450 Amps, 0500 = 500 Amps ... through 1200 = 1200 Amps
2. Customer Code C&C Power specific customer code	5. AIC Rating 35 = 35K (480V, 450-600A models only) 50 = 50K (480V, 700-1200A models only) 65 = 65K (available on all voltages)	8. Lock Configuration 02 = Configuration #2 05 = Configuration #5 06 = Configuration #6
3. Input & Output Voltage 208 = 208VAC 3PH/4W 480 = 480VAC 3PH/4W	6. Breaker Type EC = Eaton/Cutler Hammer Series C	9. Color Code MB = Black QB = Beige