

TOSHIBA

Leading Innovation >>>



4400 SERIES >>>
UNINTERRUPTIBLE POWER SYSTEMS

4400 SERIES

NEXT GENERATION TECHNOLOGY.



The Toshiba 4400 Series uninterruptible power system (UPS) is the next-generation three-phase UPS. The double-conversion, all insulated-gate bipolar transistor (IGBT) 4400 Series UPS features a digitally controlled IGBT input rectifier, an intelligent low harmonic pulse-width modulation (PWM) output, state-of-the-art electronic battery isolation circuitry, and an easy to navigate local touchscreen interface. The small footprint and total front access mechanical design requires zero rear clearance and includes features such as top, bottom, and/or side cable entry, standard sized air filter provisions, and lockable keyed doors. Customization is available through a number of options, such as internal battery backup, internal transformers for specific voltage applications, and remote monitoring with the Toshiba RemotEye® 4 multi-protocol UPS monitoring solution.

- 0.9 Power Factor
- High Efficiency
- Small Footprint
- Easily Installed

MODEL	Model Number	4400X3X150XA	4400X3X200XA	4400X3X250XA	4400X3X300XA	4400X3X500XA	4400X3X800XA
	Capacity		15 kVA (13.5 kW)	20 kVA (18 kW)	25 kVA (22.5 kW)	30 kVA (27 kW)	50 kVA (45 kW)
Topology		True On-Line, Double-Conversion, All-IGBT Technology					
INPUT	Voltage (Standard)	208/120V Three-phase, Four-Wire + Ground Input*					
	Voltage Range	-15% to +10% (Without Using Battery)					
	Power Factor	> 0.98					
	Current THD	< 5% at 100% Load					
	Frequency	50 ±5 Hz; 60 ±5 Hz					
OUTPUT	Voltage (Standard)	208/120 V: Three-Phase, Four-Wire + Ground**					
	Frequency	50/60 Hz, ±0.1% Auto-Sensing Standard. (50/60Hz Selectable, for use as Frequency Converter)					
	Voltage Regulation	±2.0%					
	Power Factor	0.9 Lagging					
	Overload	Inverter: 125% for 90 Seconds, 150% for 30 Seconds Bypass: 125% for 10 Minutes, 1000% for 10 Milliseconds					
BATTERY	DC Link	288 VDC					
	Ripple Voltage	< 0.5% DC					
ENVIRONMENT	Temperature Range	32° to 104°F (0° to 40°C)					
	Relative Humidity	5% to 95% Non-Condensing					
	Heat Rejection	4556 BTUs/Hour	6074 BTUs/Hour	7395 BTUs/Hour	9111 BTUs/Hour	15,186 BTUs/Hour	24,297 BTUs/Hour
	Full-Load Efficiency	91.0%					
	25% Load Efficiency	88.8%					
	Altitude	3300 ft. (1000 m) Maximum Without Derating					
	Air Filtration	Airflow Front to Top with Provisions for Front-Located Air Filters					
DIMENSIONS	Dimensions	20.12" (W) x 37.4" (D) x 65.06" (H) (511mm x 950mm x 1653mm)				32.1" (W) x 31.8" (D) x 73.6" (H) (816mm x 807mm x 1870mm)	
	Weight***	720 lbs. (326 kg)				1350 lbs. (612 kg)	1500 lbs. (680 kg)
COLOR	O'Brien Black (Textured Powder Coat)						
MONITORING	Touchscreen Operator Interface, UPS Status N/O Dry Contacts, RS232C Interface (Optional RemotEye® 4 Intelligent Monitoring System)						
OPTIONS	Internal Batteries, Transformers, Dual-Input Feed, RemotEye® Intelligent Monitoring System, Remote Status Alarm Panel, Air Filters						
STANDARDS	UL 1778, CUL, ISO9001, ISO14001:2004, ANSI C62.41 (IEEE 587), NEMA/PET-1993, CE, IBC, & CBC (OSHPD)						
WARRANTY	3-Year On-Site Warranty; 5-Year Warranty Available; See Toshiba Warranty Policy for Full Details						
SERVICE	24-Hour, 365-Day Technical Support: 1-877-867-8773						

* Isolation and Auto Transformer Options for Input Voltage Conversion

** Auto Transformer Options for Output Voltage Conversion

*** Unit Weight Not Including Internal Battery and Transformers

Specifications subject to change without notice.

> OPTIONS & ACCESSORIES

BATTERY CABINETS

Matching battery cabinets with Valve-Regulated Lead Acid (VRLA) batteries provide uniform installation appearance with various run times. The Toshiba 4400 Series UPS works equally well with either VRLA or flooded-cell battery backup.

AUXILIARY CABINETS

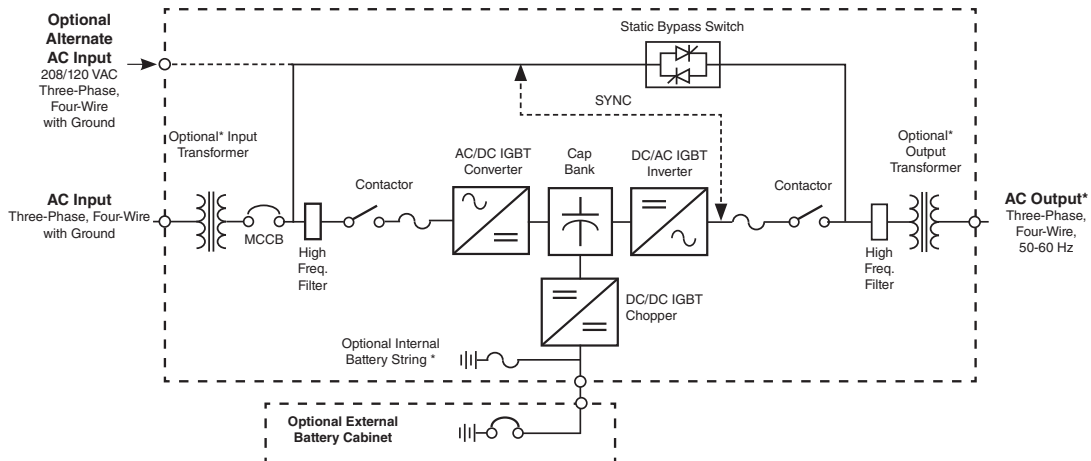
Matching auxiliary cabinets are available for uniform installation appearance. Options include maintenance bypass switch (MBS), power distribution, and subfeed breakers.

UPS MONITORING

RemotEye® 4 offers real-time control, monitoring, and analysis of UPS operation. The quick and easy-to-use software can automatically initiate an orderly shutdown to connected servers to minimize any risk of data loss. RemotEye® 4 also features a first-ever mobile website for monitoring UPS status updates on-the-go. Universal communications protocols compatible with RemotEye® 4 include Modbus TCP & RTU, BACnet IP & MSTP, HTTP/HTTPS, and SNMP. Compatibility with IPv6 also is included.



4400 Series UPS Diagram



TOSHIBA POWER ELECTRONICS DIVISION:

- Uninterruptible Power Systems
- Rechargeable Batteries
- Power Conditioning Systems
- Remote Monitoring

TOSHIBA
Leading Innovation >>>

www.toshibaups.com